

# USER MANUAL

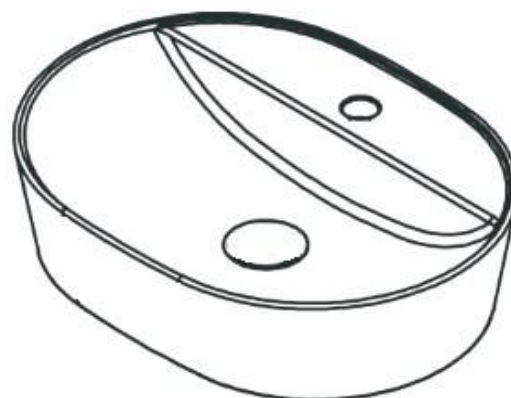
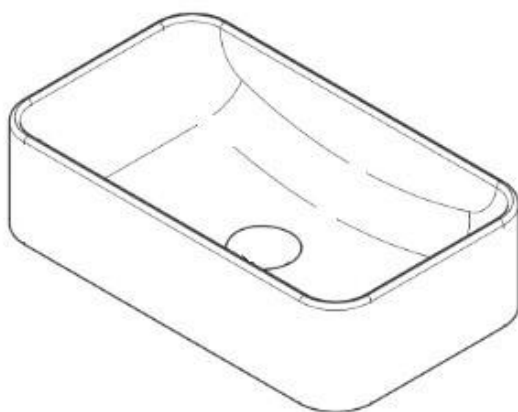


Thank you for choosing Better Bathrooms.  
Please read this manual before installing your product  
and keep for future reference.

**better  
bathrooms**

## Basin Countertop

- Waste, trap and tap sold separately



Please note: Image is for illustrative purposes only and may differ slightly to the actual product

- **Single-person assembly**
- **Tools required**
- **We always recommend using professional tradespeople to install your product**

V3\_12.10.21

# Congratulations on your purchase

*And welcome to our growing gang of savvy shoppers*

We're on a mission to bring you extraordinary bathroom products, for less. From modern to traditional style ceramics, plus the gorgeous fixtures, fittings and furniture to match. So, you can fall in love with your space every single day.

As one of the UK's largest independent bathroom stores, we've received countless awards; including the National Business Awards UK, the Digital Entrepreneur Awards and being placed on The Sunday Times Fast Track 100.

We hope your new product exceeds your highest expectations. However, if you experience any problems, please:

- log in to your account and contact our customer services team via your self-serve portal – [betterbathrooms.com/CustomerAccount/Login](https://betterbathrooms.com/CustomerAccount/Login)
- contact us via [betterbathrooms.com/content/contact-us](https://betterbathrooms.com/content/contact-us)

## Important information

- Please read these instructions thoroughly and retain for future reference
- Always check for pipes and cables before drilling

## Parts

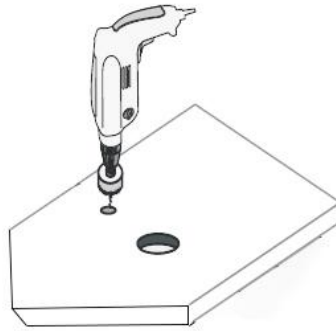
1 x Basin

## Tools required

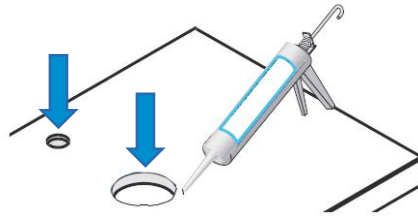
Silicone, drill and hole cutter


# Installation

1. Proceed to cut holes for waste and tap as required, ensuring that the tap hole is positioned at a distance which does not cause interference with the basin.

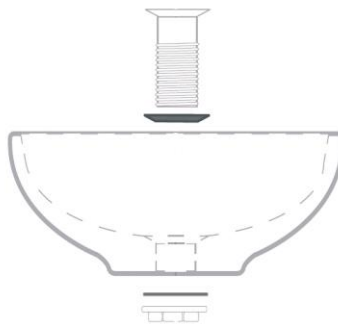


2. Seal the inside and exposed edge after cutting to prevent water or moisture penetration.

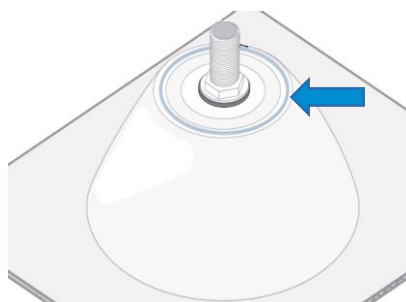


**Please note:** Allow all sealant to dry for at least 24 hours before use 

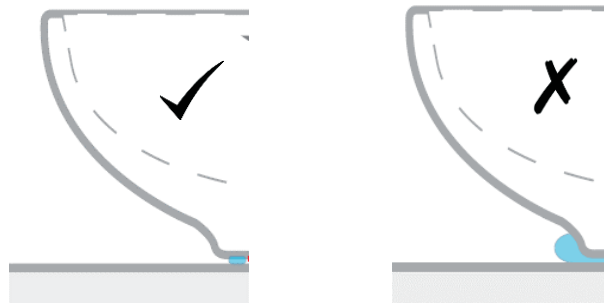
3. Fit the basin waste to the basin as shown (and follow waste instruction).



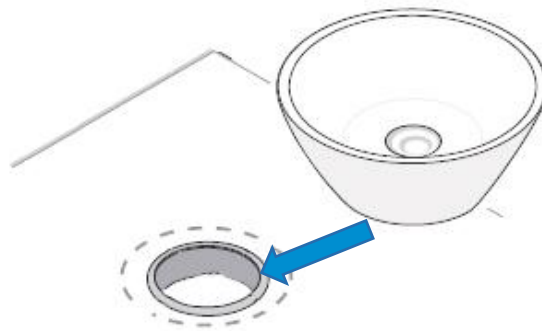
4. Apply a bead of silicone slightly from the edge of the basin.



5. Apply the silicone slightly in from the outer edge on the underside of the basin.



6. Place the basin into position with the waste through the drilled hole to allow connection to the waste trap (not supplied).



**Please note:** Allow all sealant to dry for at least 24 hours before use



## Cleaning

To maintain the surface finish of your product, wipe clean after every use, using a clean damp cloth, a mild detergent mixture can be used. Do not use abrasive cleaning agents or materials which can strip and scratch the surface; the use of these agents or materials can invalidate your guarantee.

### **For more information**

- visit [betterbathrooms.com](http://betterbathrooms.com)
- email [customerservices@buyitdirect.co.uk](mailto:customerservices@buyitdirect.co.uk)
- call 0330 390 3062
- write to Trident Business Park, Neptune Way, Huddersfield, HD2 1UA

**better  
bathrooms**

Part of the BuyItDirect Group

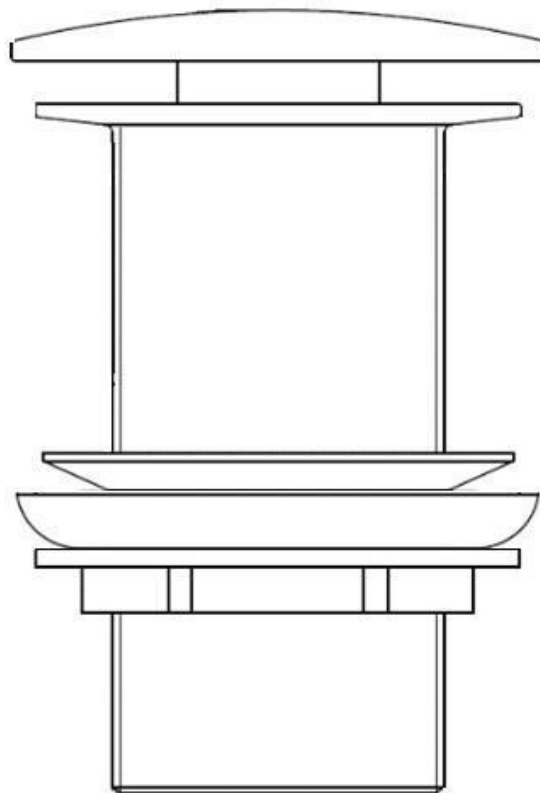
# USER MANUAL



Thank you for choosing Better Bathrooms.  
Please read this manual before installing your product  
and keep for future reference.



## Push Button Basin Waste



Please note: Image is for illustrative purposes only and may differ slightly to the actual product

- **Single-person assembly**
- **Tools required**
- **We always recommend using professional tradespeople to install your product**

# Congratulations on your purchase

*And welcome to our growing gang of savvy shoppers*

We're on a mission to bring you extraordinary bathroom products, for less. From modern to traditional style ceramics, plus the gorgeous fixtures, fittings and furniture to match. So, you can fall in love with your space every single day.

As one of the UK's largest independent bathroom stores, we've received countless awards; including the National Business Awards UK, the Digital Entrepreneur Awards and being placed on The Sunday Times Fast Track 100.

We hope your new product exceeds your highest expectations. However, if you experience any problems, please:

- call our friendly UK call centre on **0871 244 0935** (9am-7pm Monday to Friday, or 10am-4pm Saturday and Sunday), or
- send us a message via **customerservices@buyitdirect.co.uk**

## Important information

- Please read these instructions thoroughly and retain for future reference
- Manufactured to BS EN 274-1:2002 Waste fittings for sanitary appliances

## Parts

1 x Plug mechanism

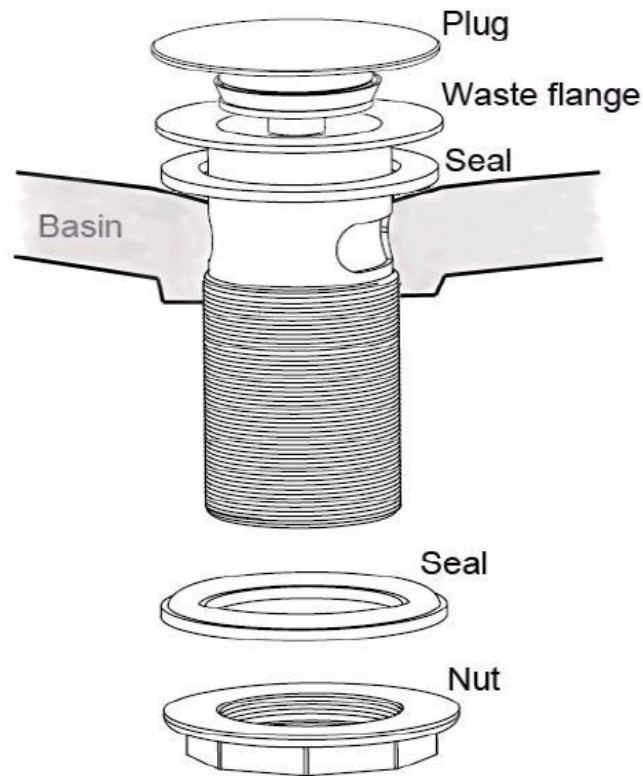
1 x Waste Body

2 x Rubber washer (seals)

1 x Nut

## Tools required

Silicone and adjustable grips



Please note: Parts are for illustrative purposes only and may differ slightly to the actual product

## Installation

1. Upon receipt of your product, remove the nut and bottom seal from the waste body.
2. Place the waste and top seal into the basin and push the waste body through the basin waste hole.

(The top washer does not have to be used, this can be replaced by applying silicone sealant between the waste flange and basin).

3. From underneath the basin, place the bottom seal onto the threaded tail, followed by the nut.
4. Tighten the nut to the underside of the basin and finish using adjustable grips, do not overtighten.

(Silicone sealant can also be used in conjunction with the nut to create the seal)

# Cleaning

To maintain the surface of your product, wipe with a clean damp cloth and wipe dry, do not use any abrasive cleaning agents or materials.

If any harsh chemicals come into contact with the surface of the product, rinse and wipe clean immediately.

# Troubleshooting

## Water draining

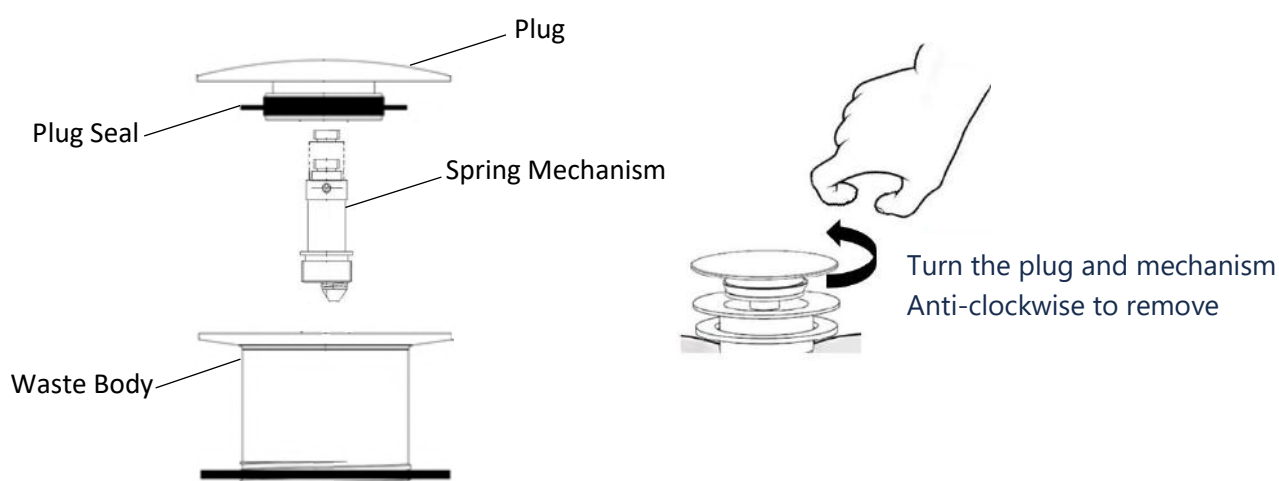
Check the plug/mechanism is fully screwed into the waste body. Then, check the plug seal to ensure it has not been damaged. Replace if damaged.

## Plug/mechanism does not click open/closed

Remove the plug and replace the spring mechanism.

# Maintenance

- If the plug needs to be replaced, unscrew it from the spring mechanism, and refit with a new one, ensuring that the plug is fully secured.
- If the spring mechanism needs to be replaced, unscrew the plug, then unscrew the spring mechanism from the waste body; a small spanner or pliers may be required to assist, then refit ensuring that the spring mechanism is fully secured.
- If the Plug Seal should need to be removed, unscrew the plug from the spring mechanism then pull the seal from the plug stem and refit the seal ensuring it's not twisted, proceed to refit the plug.



## For more information

- visit [betterbathrooms.com](http://betterbathrooms.com)
- email [customerservices@buyitdirect.co.uk](mailto:customerservices@buyitdirect.co.uk)
- call 0871 244 0935
- write to Trident Business Park, Neptune Way, Huddersfield, HD2 1UA

**Better**  
bathrooms.com

Part of the BuyItDirect Group